

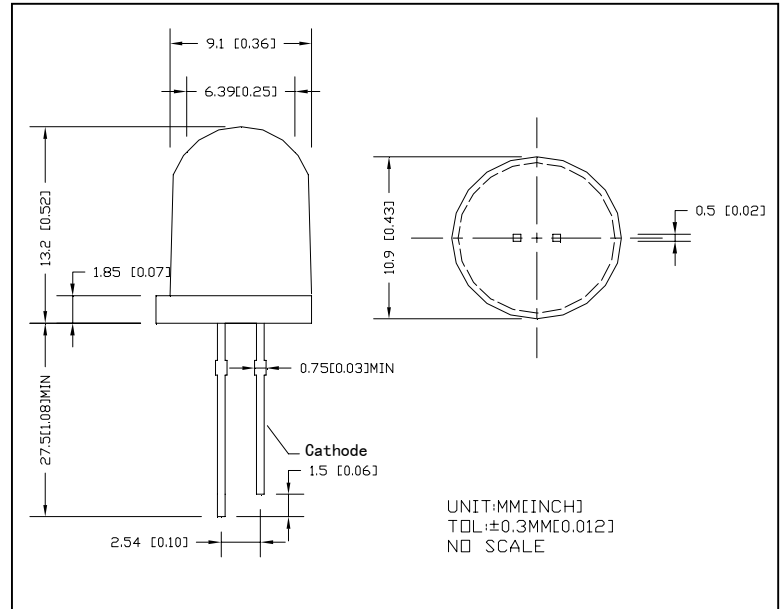
MICRO ELECTRONICS

MWB90TA-8I

ULTRA HIGH
BRIGHTNESS
WHITE LED LAMP

DESCRIPTION

An ultra high brightness InGaN/ GaN white LED lamp encapsulated in a 9mm diameter , clear transparent lens .



ABSOLUTE MAXIMUM RATINGS

Power Dissipation @ Ta=25°C	100mW
Forward Current, DC (IF)	30mA
Reverse Voltage	5V
Operating Temperature Range	-20 to +80°C
Storage Temperature Range	-30 to +100°C
Lead Soldering Temperature (1/16" from body)	260°C for 5 sec.

ELECTRO-OPTICAL CHARACTERISTICS (Ta=25°C)

PARAMETER	SYMBOL	MIN	TYP	MAX	UNIT	CONDITIONS
Forward Voltage	VF		3.1	3.4	V	IF=20mA
Reverse Breakdown Voltage	BVR	5			V	IR=70μA
Luminous Intensity	IV	22000	28000		mcd	IF=20mA
Chromaticity Coordinates	X		0.32			IF=20mA
	Y		0.32			IF=20mA
Viewing Angle	2θ 1/2		16		degree	IF=20mA

CAUTION

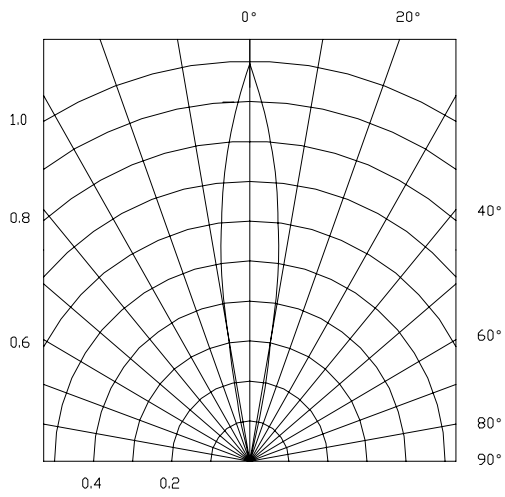
Static electricity and surge damages the LED ,It is recommended to use a wrist band or anti-eletrostatic glove when handling the LED . All devices,equipment and machinery must be properly grounded.



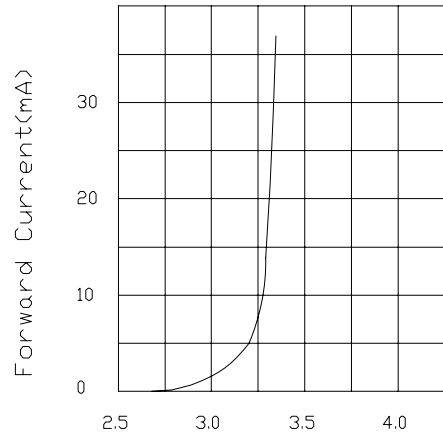
MICRO ELECTRONICS LTD. 美科有限公司
7/F, Enterprise Square Three, 39 Wang Chiu Road, Kowloon Bay, Kowloon, Hong Kong.
TEL: (852) 23430181 FAX: (852) 23410321
HOMEPAGE: <http://www.microelectr.com.hk>

REV:A
4/1/2006
page 1 of 2

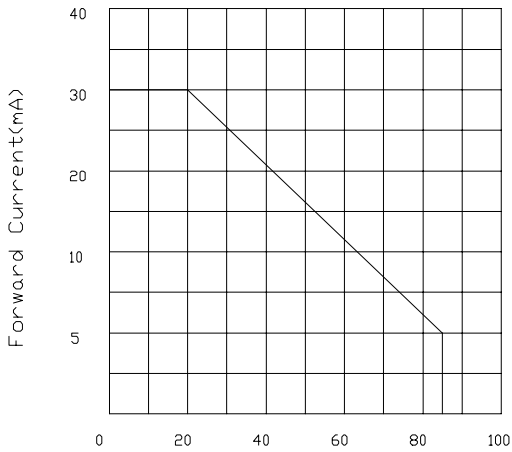
MWB90TA-8I



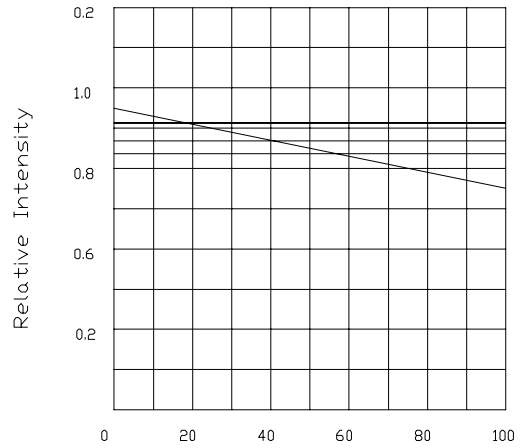
spatial Distribution



Forward Voltage(V)

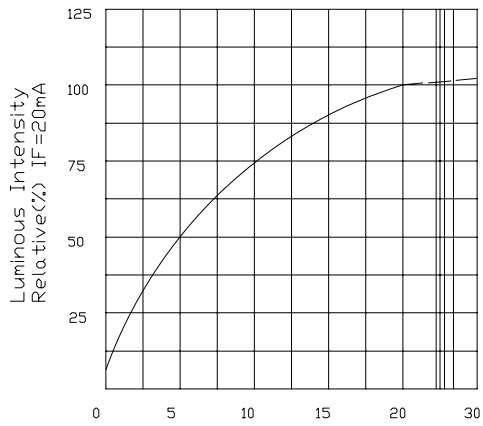


Ambient Temperatur T_a (°C)



Ambient Temperatur T_a (°C)

Relative Luminous Intensity VS Forward Current



Forward Current(mA)